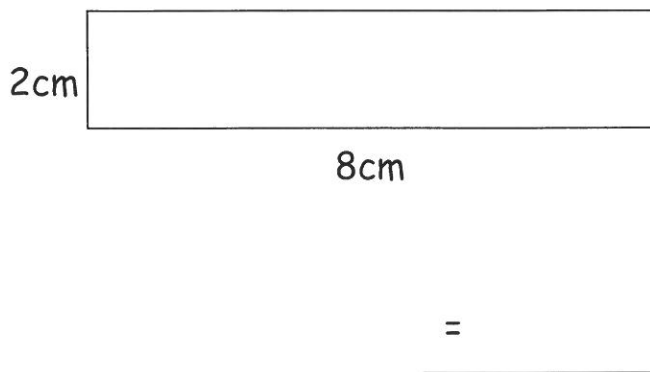
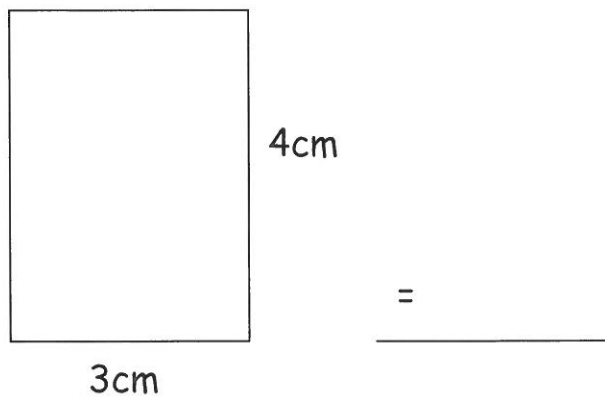
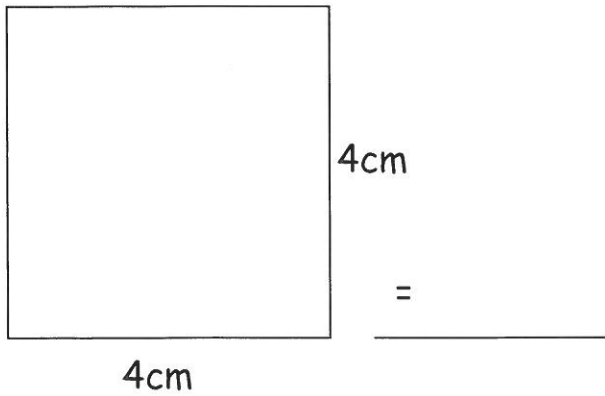


Date:

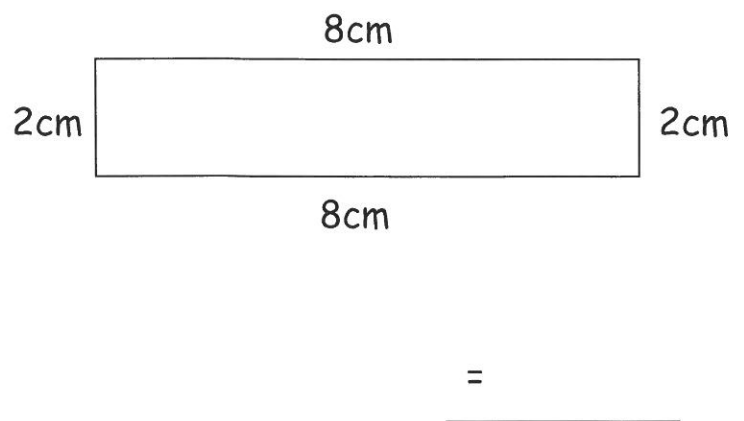
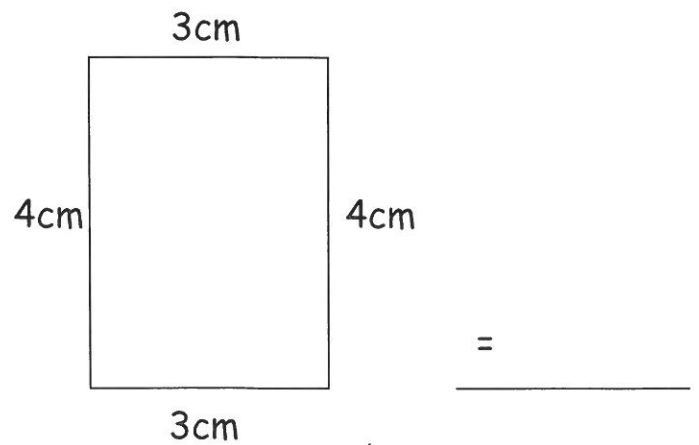
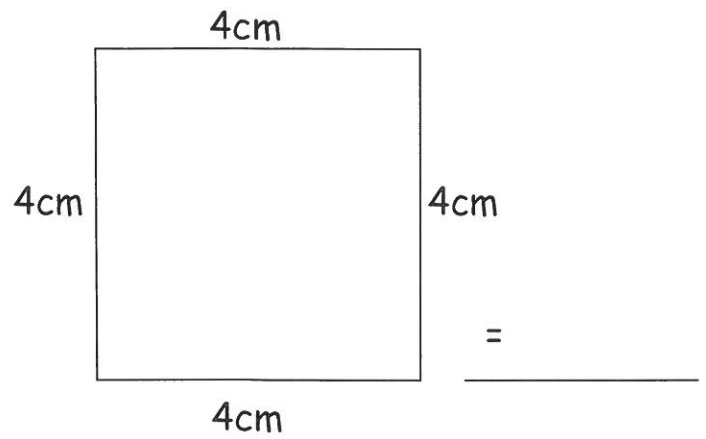
Name:

Sheet 23: Area & Perimeter

Area - inside shape in cm^2



Perimeter - outside of shape in cm



Score:

16

○ You had a good go.

Next step - Try again next time.

○ Well done

Next step - move on to Sheet 24
Ordering decimals